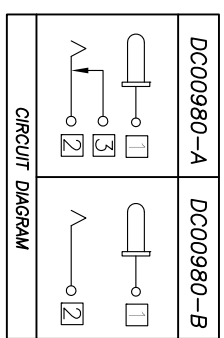
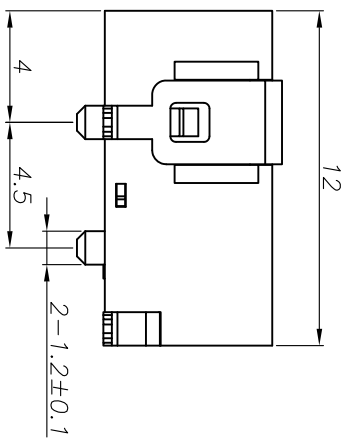
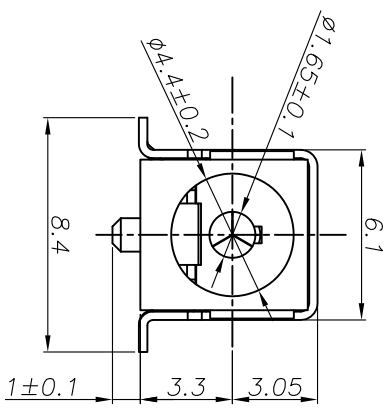


DC MATE PLUG



□ : TERMINAL NO.

- SPECIFICATION**
1. Rating : DC 6.3V 2A;
 2. Contact resistance: $\leq 30m\Omega$;
 3. Insulation resistance: $\geq 100M\Omega$ (DC250V);
 4. Withstand voltage: 500VAC ;
 5. Insertion and extraction force: 3-30N;
 6. Life test: 5,000 cycles.

NO.	DESCRIPTION	QTY	MATERIAL	PLATING
⑤	Frame	1	Brass t=0.3	Ag-Plating
④	Shunt terminal	1	Brass t=0.3	Ag-Plating
③	Tip spring	1	Phosphor Bronze t=0.3	Ag-Plating
②	Center pin	1	Brass t=0.3	Ag-Plating
①	Housing	1	PA9T	

UNIT:MM	TYPE:	MODEL NO.:	PAPER NO.:	A4	PAGE 1 OF 1
	DC POWER JACK	DC00980-G	TOLERANCE	±0.3	ANGLES
				±2°	SCALE
				FULL	VER
					1

DESIGNER BY:	Li Wenhui	2008.12.13	丞永實業有限公司 BLUE SOURCES ELECTRONICS CO.,LTD.
CHECK BY:			
APPROVED BY:			